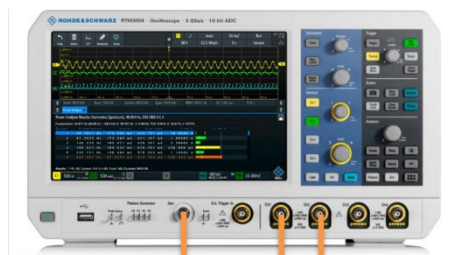


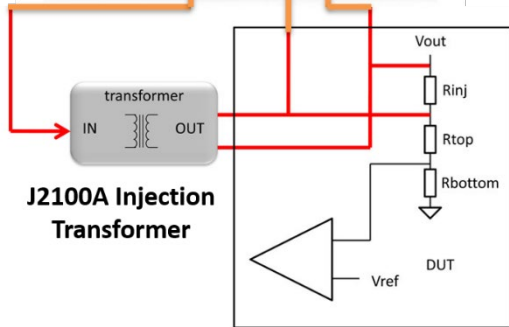
FRA Bundle for R&S RTM, RTA, and RTB Scopes Featuring Picotest Signal Injectors

The Frequency Response Analyzer (FRA) bundle is required to perform Bode Plot and PSRR testing using Rohde & Schwarz oscilloscopes

Stability made via a Bode plot, and Power Supply Rejection Ratio (PSRR) measurements are essential to assessing power supply performance. The Picotest FRA bundle enables the R&S RTM, RTA, and RTB scopes along with the new R&S®RTx-K36 FRA option to perform these tests. The essential bundle includes the Picotest J2120A Line Injector (PSRR) and the J2100A Injection Transformer (Bode plots/stability). For more information see www.Picotest.com.



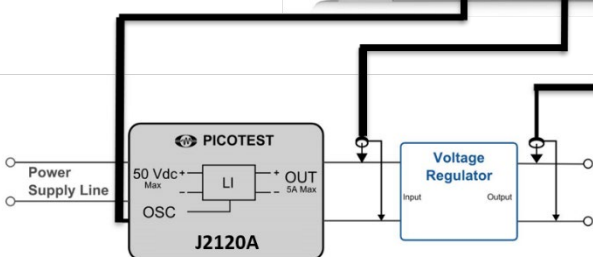
Set up diagram to measure Bode plots with the Picotest J2100A



J2100A Injection Transformer



Set up diagram to measure PSRR with the Picotest J2120A Line Injector



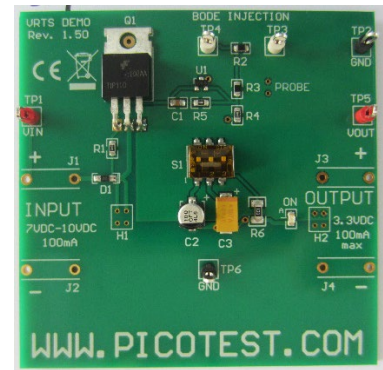
The Picotest FRA bundle includes:



J2120A Line Injector (PSRR measurement)



J2100A Injection Transformer (1Hz-5MHz)
(Bode Plot measurement)



VRTS1.5 Test/Training board

To learn how this solution can address your specific needs please contact Picotest:

877-914-7426

info@picotest.com

www.picotest.com

© Picotest, 2019 www.picotest.com

