

B-RMK-10 Rack Mount Kit User Manual



Rack Mount Kit User Manual

Version: ENU 1261 05 01 — Year: 2021

© OMICRON Lab, OMICRON electronics. All rights reserved.

This manual is a publication of OMICRON electronics GmbH.

All rights including translation reserved. Reproduction of any kind, e.g., photocopying, microfilming, optical character recognition and/or storage in electronic data processing systems, requires the explicit consent of OMICRON electronics. Reprinting, wholly or in part, is not permitted.

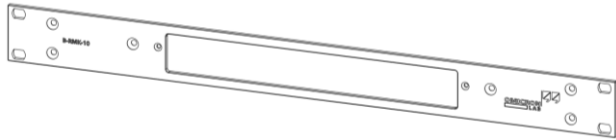
The product information, specifications, and technical data embodied in this manual represent the technical status at the time of writing and are subject to change without prior notice.

Windows is a registered trademark of Microsoft Corporation.
OMICRON Lab and Smart Measurement Solutions are registered trademarks of OMICRON electronics.

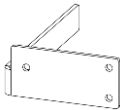
1 Overview

Delivery includes:

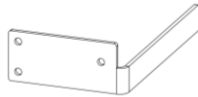
1 x Frontpanel



1 x Left Rail



1 x Right Rail



6 x Screw M4



2 x Screw M3



2 Assembly Instruction

The *B-RMK-10* rack mount kit can be used to mount OMICRON Lab's Bode 100 to a 19-inch rack.

Before starting with the assembly, make sure that all cables or connections are unplugged from the device.

First, loosen the two screws on the left and the right side of the front panel using a TX10 screwdriver and remove the plastic frame from the device as illustrated in Figure 2-1 below.

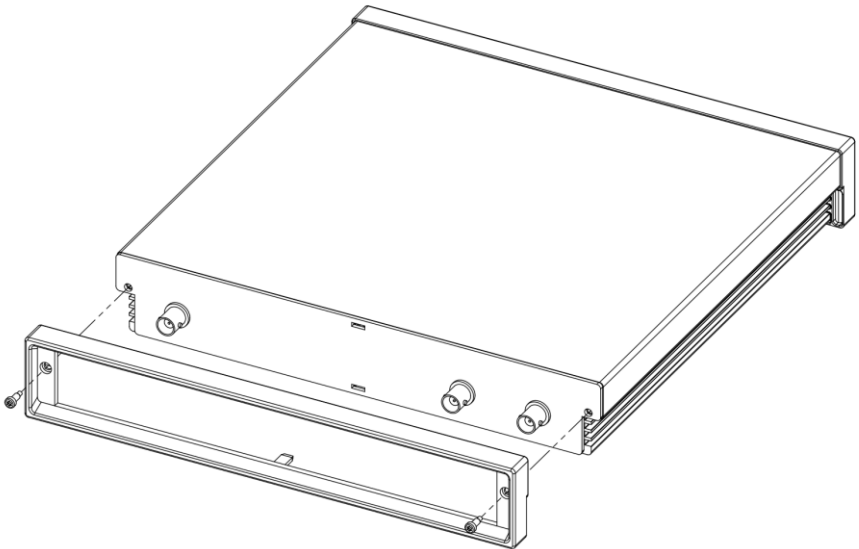


Figure 2-1: Demounting the front-panel plastic frame

Assembly Instruction

After that, use the six short M4 countersunk screws (1) and mount the left and the right rail to the *B-RMK-10* frontpanel.

Then use the M3 countersunk screws (2) to mount the *B-RMK-10* to the device as shown in Figure 2-2 below.

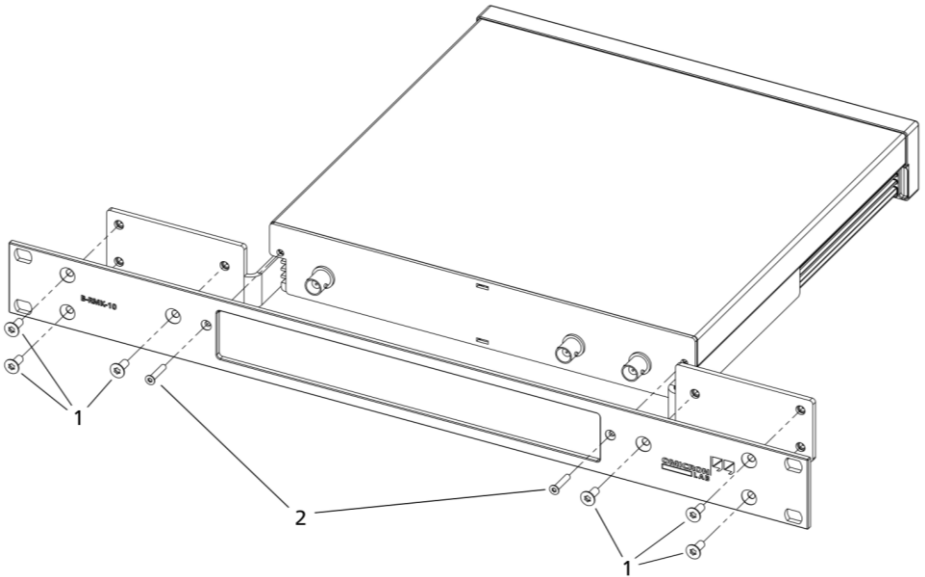


Figure 2-2: Mounting the *B-RMK-10* to the device

Congratulations, you successfully mounted the *B-RMK-10* rack mount kit to your OMICRON Lab device and are now able to mount your device into a 1U space of a 19-inch rack.

If space in height is limited, remove the four rubber-feet on the bottom of the device, using a TX10 screwdriver.

3 Technical data

Table 3-1: Mechanical data

Characteristic	Rating
Dimensions	482 mm x 152 mm x 44 mm 19 inch x 5.96 inch x 1.72 inch
Weight	0.42 kg / 0.94 lbs

4 Technical support

When you are working with our products we want to provide you with the greatest possible benefits. If you need any support, we are here to assist you!

Technical Support - Get Support



www.omicron-lab.com/support

support@omicron-lab.com

At our technical support hotline, you can reach well-educated technicians for all your questions.
Competent and free of charge.

Make use of our technical support hotlines:

Americas: +1 713 830-4660 or
+1 800-OMICRON

Asia-Pacific: +852 3767 5500

Europe / Middle East / Africa: +43 59495 4444

Additionally, you can find the OMICRON Lab Service Center or Sales Partner closest to you at www.omicron-lab.com → Contact.

OMICRON Lab

OMICRON electronics GmbH,

Oberes Ried 1, 6833 Klaus, Austria. +43 59495

info@omicron-lab.com
www.omicron-lab.com

Rack Mount Kit User Manual English
© OMICRON Lab, 2020 — 2021

Version 1

ENU 1261 05 01