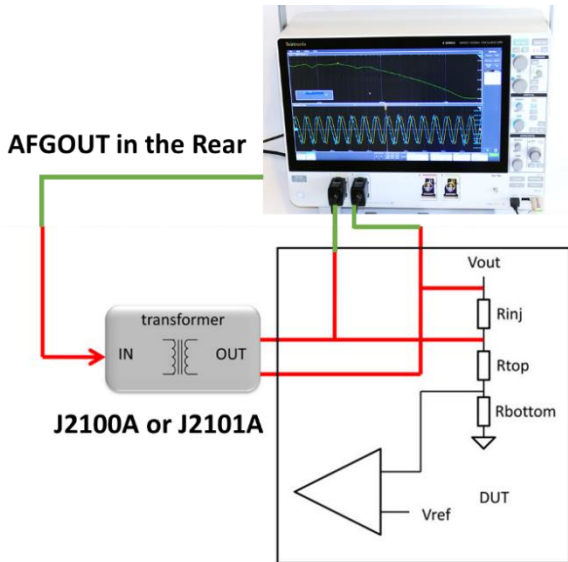


FRA Bundle for Tektronix 5/6 Series MSO

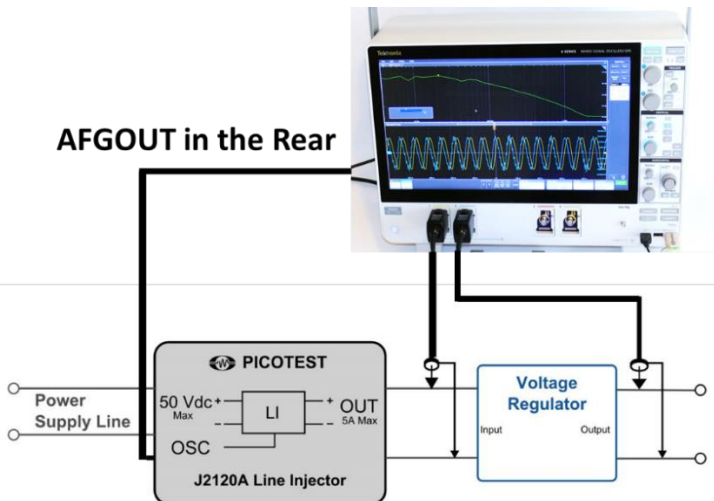
Featuring Picotest Signal Injectors

The Frequency Response Analyzer (FRA) bundle is required to perform Bode Plot and PSRR testing using Tektronix 5/6 series MSO

Stability made via a Bode plot, and Power Supply Rejection Ratio (PSRR) measurements are essential to assessing power supply performance. The Picotest FRA bundle enables the Tektronix 5/6 Series MSO and its FRA features to perform these tests. The essential bundle includes the Picotest J2120A Line Injector (PSRR) and the J2100A Injection Transformer (Bode plots/stability). For more information see www.Picotest.com.



Set up diagram to measure Bode plots with the Picotest J2100A



Set up diagram to measure PSRR with the Picotest J2120A

The Picotest FRA bundle includes:



J2120A Line Injector (PSRR measurement)



J2100A Injection Transformer (1Hz-5MHz) (Bode Plot measurement)



VRTS1.5 Test/Training board

To learn how this solution can address your specific needs please contact Picotest:
877-914-7426
info@picotest.com
www.picotest.com

© Picotest, 2019 www.picotest.com

