

A Simple Method to Determine ESR Requirements for Stable Regulators

By Steven Sandler, Picotest.com

Engineers often have trouble analyzing and achieving stability for the linear regulators they employ. Given how little stability information is published by the manufacturers of these devices, this is not surprising. In most linear regulators, the output capacitors' ESR provides the control loop zero, stabilizing the regulator. The datasheet generally offers little information regarding the stability of the regulator as a function of the load current, output capacitance and output capacitor ESR, which are the external parameters which impact the stability of the regulator. Additionally, the latter two parameters are often uncontrolled by the manufacturer.

Past articles on this topic have focused on the criticality and impact of phase margin and overall stability, as well as how to measure the stability using either invasive or non-invasive techniques, therefore, this article provides a different perspective. This article discusses a method for the determination of capacitor ESR required to achieve a particular phase margin for any output capacitance value, based on a single simple measurement. That is, if you know the output capacitance and output load current you can tell what value of ESR will lead to a configuration with the desired phase margin.

GENERAL REPRESENTATION OF A LINEAR REGULATOR

The majority of linear regulators, regardless of the internal topology, reflect an output impedance that provides all of the information necessary to determine the ESR required to achieve a particular degree of stability.

Without performing an analysis or derivation of the shape of the impedance response, which is beyond the scope of this article, it is possible to measure the output impedance of the voltage regulator without any output capacitors connected to it. Not all regulators are stable in this condition, though most are. The impedance result can be segmented into three distinctive regions. At DC and low frequencies, the output impedance is resistive, with the resistance being related to the load regulation of the regulator and circuit trace resistances. In the second region, the impedance is inductive, with the inductance being dependent on the load current and the bandwidth of the regulator. In the third region, it is possible that the output impedance is again resistive, or not, depending on the regulator.

Since this method is based on the magnitude and phase of the output impedance, the first step to defining the required ESR is to measure the wideband output impedance. We can easily accomplish this using the Keysight E5061B Network Analyzer and the Picotest J2111A Current Injector as shown in Figure 1. The selection of these two pieces of test equipment is due to their wide bandwidth and their ability to directly measure both the phase margin and effective Q from the output impedance measurement. The measurement should be made at the lowest

expected operating current, since this condition generally results in the poorest phase margin. In fact, the minimum load requirement is often the limit to the achievable performance of the regulator.¹

MEASURING THE OUTPUT IMPEDANCE

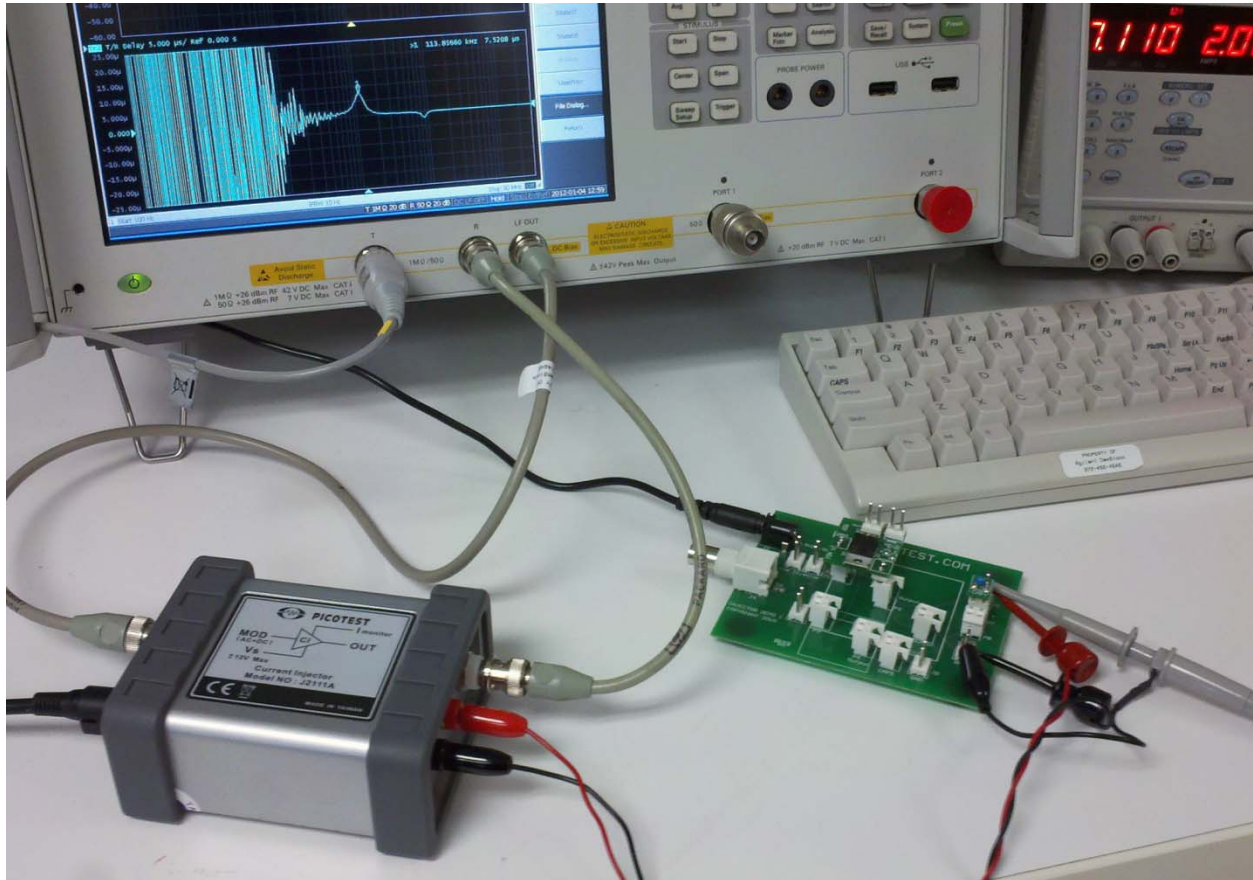


Figure 1 - Test setup to measure output impedance using an Keysight E5061B network analyzer and the Picotest J2111A Current Injector. The Picotest VRTS test and training board provides a simple platform for mounting the regulator and connecting the equipment.

The output impedance of an LM317 voltage regulator operating at 25mA and at 50mA is shown in Figure 2. This impedance measurement clearly shows the three regions, as well as confirming that these impedances are dependent on load current. In addition to load current, the output impedance is also affected by the output voltage of the regulator and by the internal compensation of the regulator, so different regulators will yield different results.

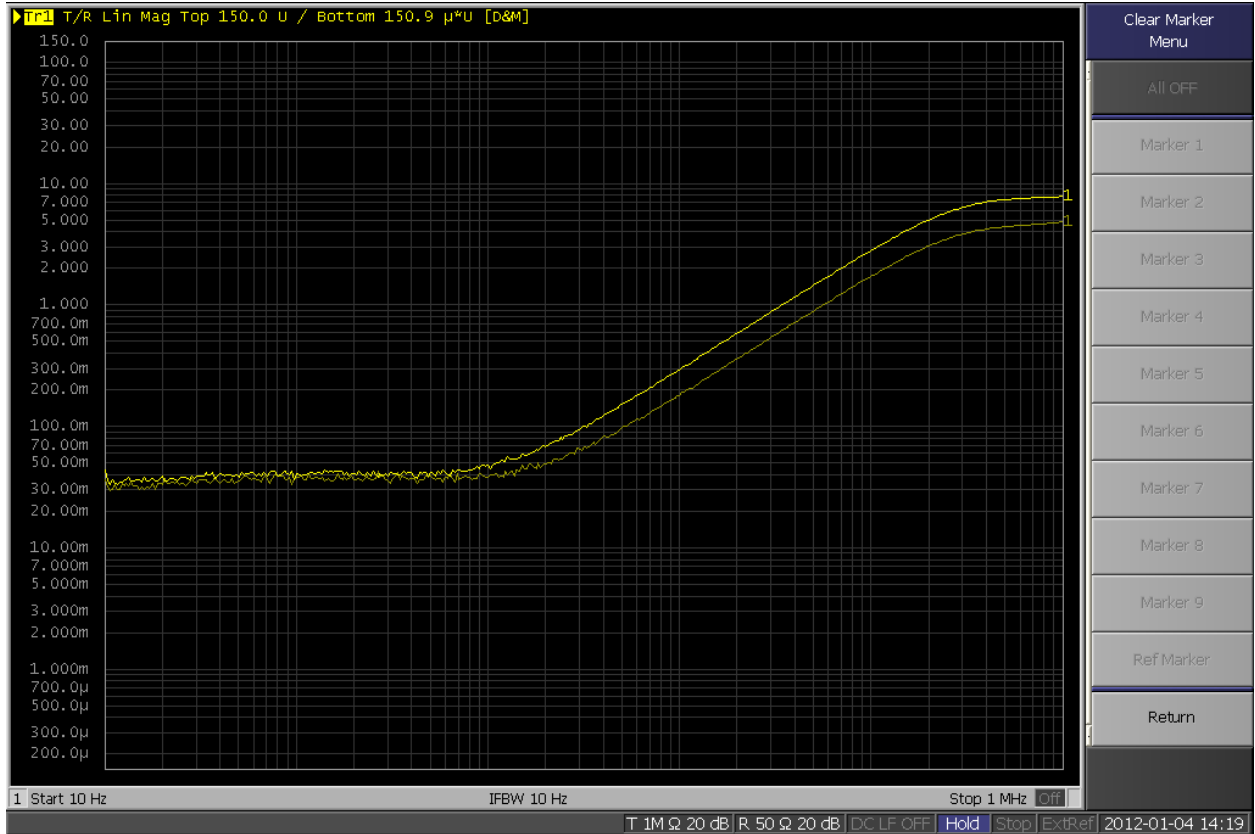


Figure 2 - LM317 output impedance at 25mA (thick line) and 50mA (thin line) load current.

The equivalent circuit representing the regulator at 3.3V and 25mA is shown in Figure 3.

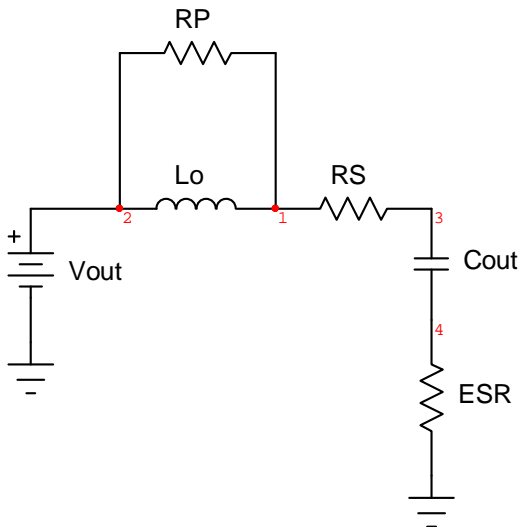


Figure 3 - General representation of a voltage regulator with an output capacitor and the capacitor ESR. Note that the value of L is operating current dependent. RS and RP may also be operating current dependent.

The equivalent circuit inductance is determined by selecting a point in the inductive region. Selecting 1 Ohm at 35 kHz at 25mA operating current, L_o can be calculated as:

$$L_o := \frac{1}{2 \cdot \pi \cdot 35 \cdot 10^3}$$

$$L_o = 4.547 \times 10^{-6}$$

Next, the values of R_s and R_p are taken directly from the impedance measurement as 40 milliOhms and 8 Ohms, respectively. Much of this resistance is from contact resistance of the connections on the VRTS.

The derivation of the ESR requirement is beyond the scope of this article, however, it can be directly calculated as a function of the equivalent parameters, desired output capacitance and desired phase margin (PM).

$$\text{ESR}(\text{PM}, C_{out}, L_o, R_s, R_p) := \left(-\text{Re} \left(\frac{L_o \cdot i \cdot R_p}{L_o \cdot i + R_p \cdot \sqrt{L_o \cdot C_{out}}} + R_s \right) \right) + \left(\sqrt{\frac{L_o}{C_{out}}} \right) \cdot \sqrt{2 - 2 \cdot \cos(\text{PM} \cdot \text{deg})}$$

The bandwidth of the regulator can be calculated from the equivalent inductance and the output capacitance.

AN EXAMPLE

Using the LM317 at an output voltage of 3.3V and an operating load current of 25mA, the values of L_o , R_p and R_s can be determined from Figure 2. A 22uF capacitor is selected as the output capacitor.

The expected bandwidth of the regulator is calculated from the equivalent inductance and the output capacitance, using the well known resonant frequency relationship for an inductor and capacitor.

$$\text{BW} := \frac{1}{2 \cdot \pi \cdot \sqrt{L_o \cdot C_{out}}}$$

$$\text{BW} = 1.591 \times 10^4$$

Arbitrarily choosing a desired phase margin of 36 degrees, the required ESR is calculated to be 131 milliOhms.

$$\text{ESR}(36, 21.5 \cdot 10^{-6}, 4.547 \cdot 10^{-6}, 0.04, 8) = 0.131$$

A 22uF tantalum capacitor sample is selected and measured, using the Keysight E5061B Impedance Analyzer functionality. The capacitance and ESR results are shown in Figure 4.

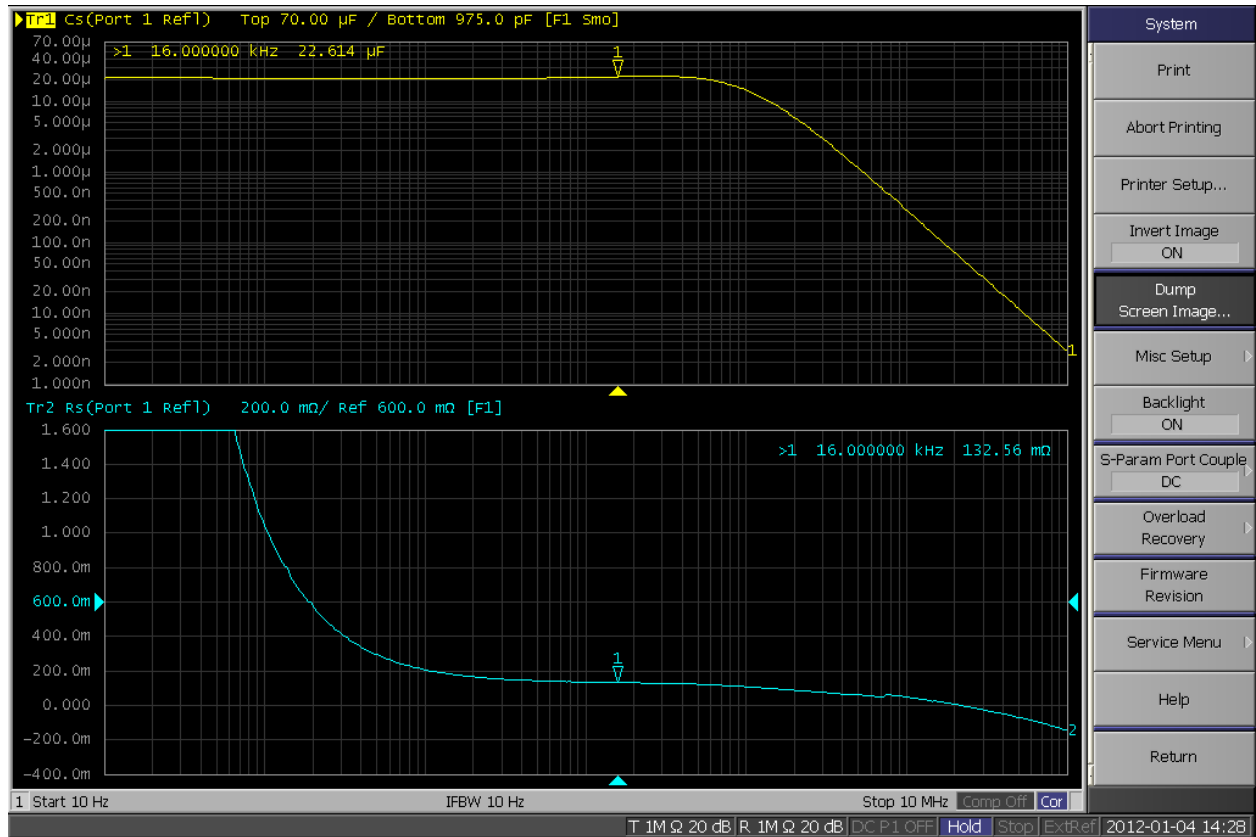


Figure 4 - A tantalum capacitor sample measures 22.6μF with an ESR of 132.6 milliOhms at 16kHz using the impedance measurement capabilities of the E5061B.

The capacitance and ESR are both close to the desired values. Finally, using the E5061B and J2111A to make a non-invasive stability measurement (“NISM”), the phase margin is measured at a load current of 25mA. The results, shown in Figure 5, indicate a phase margin of 36 degrees and a bandwidth of approximately 16kHz, confirming the mathematical result. The NISM software is available as an add-on to the E5061B.

https://www.picotest.com/products/Picotest_Keysight_Solution.html

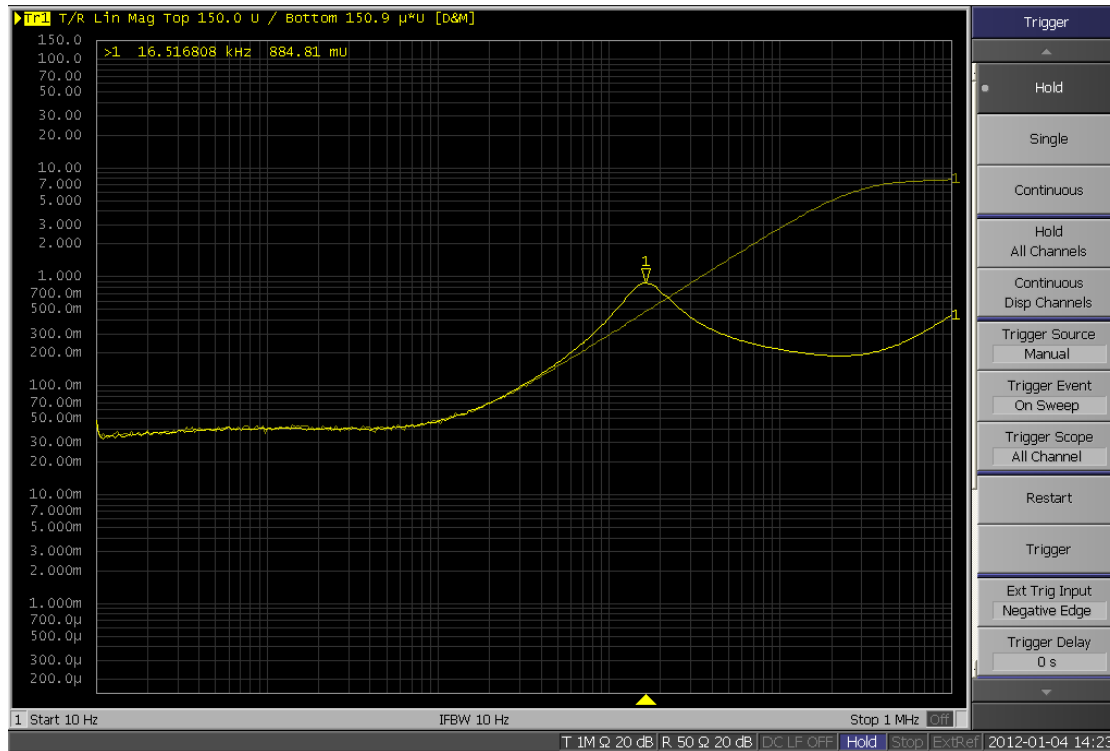


Figure 5 - LM317 25mA with 22uF tantalum capacitor output impedance (thick trace) confirms the phase margin of 36 Degrees with 0.132 Ohm ESR. The measurement also confirms the regulator bandwidth of 16kHz.

$$PM(29.73610^{-6}, 16.51710^3) = 35.728 \text{ degrees}$$

CONCLUSION

A single, simple measurement has been described which allows the determination of the ESR required to achieve a desired phase margin, using a particular value of output capacitor. Solving the ESR requirement at the lowest operating current provides a stable solution for higher operating currents as well. The non-invasive stability margin extraction method using the Keysight E5061B and J2111A Current Injector allows this method to be used even with fixed voltage regulators, where there is no control loop access (<https://www.picotest.com/non-invasive-stability-measurement.html>). The stability improvements that can be realized in the regulator may enhance many system level performance characteristics, such as output impedance, dynamic step load response, PSRR, reverse transfer and crosstalk.

REFERENCES

1. "No-Load Specification Impacts Power-Supply Performance", Steven M. Sandler, Charles Hymowitz, Power Electronics Technology, 2008, Vol. 34 No 3.
2. "Invasive and Non-Invasive Stability Measurements", <https://www.picotest.com/blog/?p=312> 2010.
3. "Fundamentals of Power Electronics", Erickson, Robert W. and Maksimovic, Dragan, Springer, 2004.